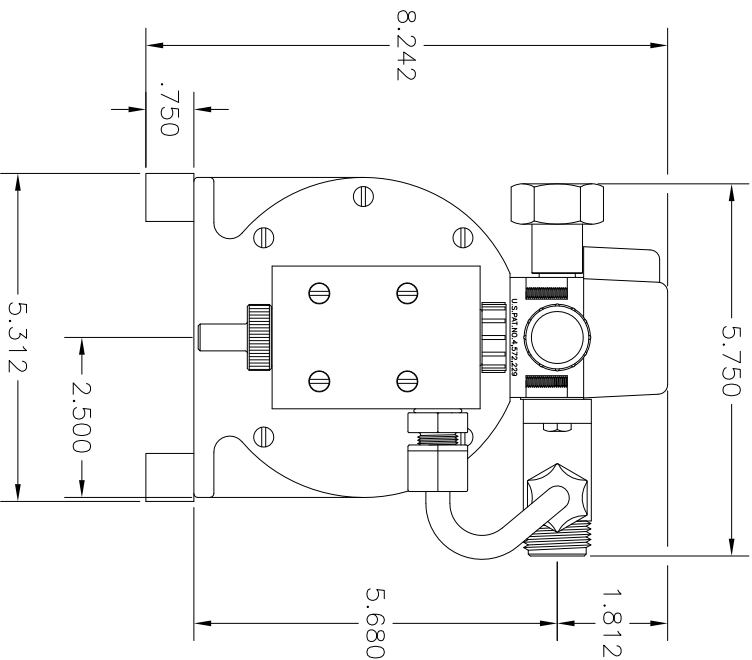


MID. VOLUME PUMP SERIES	DIMENSION "A" COMPRESSED	DIMENSION "A" FULLY EXTENDED	DIMENSION "B"	DIMENSION "C"
.3oz. - 1.2oz.	12.125	13.000	4.750	3.625
2.5oz.	12.250	14.000	4.750	4.625
5oz.	13.500	15.000	6.000	4.813
8oz. - 17oz.	13.750	15.500	6.188	6.875
20oz.	15.000	16.750	7.500	6.500
30oz.	15.500	17.000	7.625	6.750



REVISION:

- (A) ALL DIMENSIONS UPDATED, 05/18/98.
- (B) ALL DIMENSIONS UPDATED WITH PUMP IN OVER STROKE POSITION, 01/26/01.

NOTES:

1. REDRAWN, 10/13/07.
2. ALL DIMENSIONS ±.125.
3. DIMENSION "A" IS TAKEN WITH ADJUSTMENT SET TO MAXIMUM, SEE CHART ABOVE.

SCALE:

1:3

SHEET:

1 of 1

DATE:

04/17/98

DRAWN BY:

SC

CHECKED BY:

DK

SERIES:

12 GPM

DESCRIPTION:

SC

C:\AUTOCAD\GSDRAW\Paper-Work\Dimension-Print\12gpm(MV)-Dimension-Print.dwg



5301 SAWYER AVENUE BOISE, ID 83714
 PHONE: (208) 375-5000 www.hydroblend.com
 12gpm. (MV) HORIZONTAL MOUNT PUMP DIMENSIONS