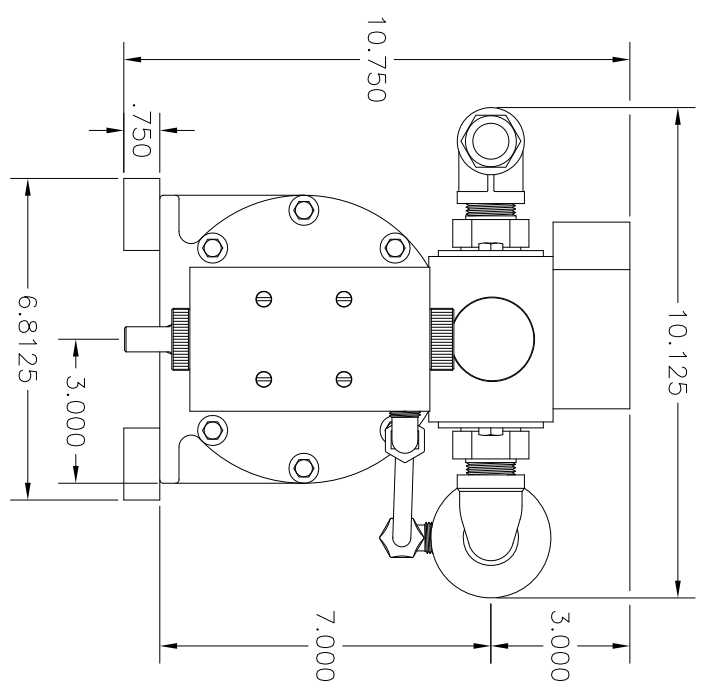


HIGH VOLUME PUMP SERIES	DIMENSION "A" COMPRESSED	DIMENSION "A" FULLY EXTENDED	DIMENSION "B"	DIMENSION "C"
.2oz. - .8oz.	19.125	22.500	7.750	3.625
1.7oz. - 2oz.	19.875	23.250	8.500	4.625
3.5oz.	20.187	23.687	9.000	4.813
4.4oz. - 9oz.	20.4375	23.875	9.250	6.875
14oz.	21.250	24.750	10.000	6.500
20oz.	21.500	25.000	9.875	6.750




- NOTES:
1. ALL DIMENSIONS ±.125.
 2. DIMENSION "A" IS TAKEN WITH ADJUSTMENT SET TO MAXIMUM. SEE CHART ABOVE.

REVISION:

SCALE: 1:4	SHEET: 1 of 1	DATE: 10/20/08
DRAWN BY: SC	CHECKED BY: DK	
SERIES: 25 GPM	DESCRIPTION:	
REGION: SC	DESIGNED BY: SC	DATE: 11/04/08

C:\AUTOCAD\BROWMAN\Paper-Work\Dimension-Print\25gpm(HV)-Dimension-Print.dwg



5301 SAWYER AVENUE BOISE, ID 83714
 PHONE: (208) 375-5000 www.hydroblend.com
 PART NUMBER: 25gpm (HV) HORIZONTAL MOUNT PUMP DIMENSIONS