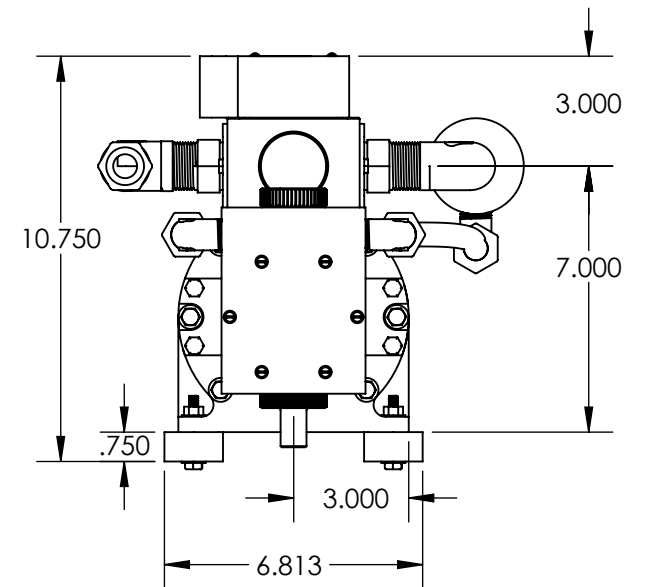
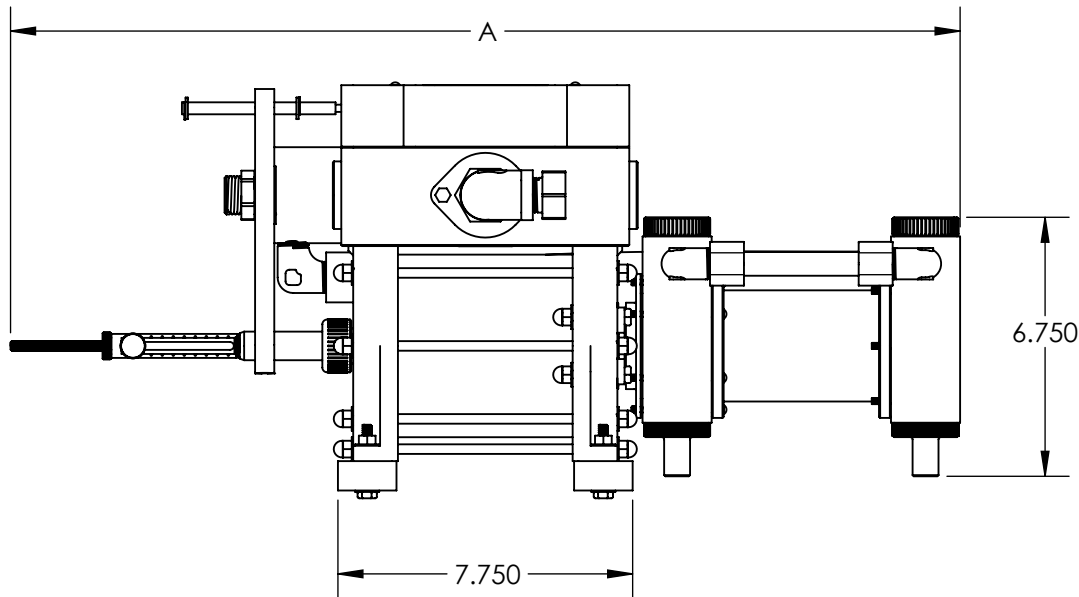


Dimension "A" Compressed	Dimension "A" Fully Extended
23.000"	28.000"



**NOTES**

1. ALL DIMENSIONS  $\pm .125"$
2. DIMENSION "A" IS TAKEN WITH ADJUSTMENT SET TO MAXIMUM, SEE CHART ABOVE
3. REDRAWN, 04/28/16

DESCRIPTION:	36 oz.	DATE:	06/27/14
SERIES:	25 gpm	REVISION:	
REVISED BY:		REVISION DATE:	
SCALE:	1:5	SHEET:	1 of 1



5301 SAWYER AVENUE BOISE, ID 83714  
 Phone: (208) 375-5000 www.hydroblend.com

DESCRIPTION:  
**HV6360-A-V HORIZONTAL  
 MOUNT PUMP DIMENSIONS**