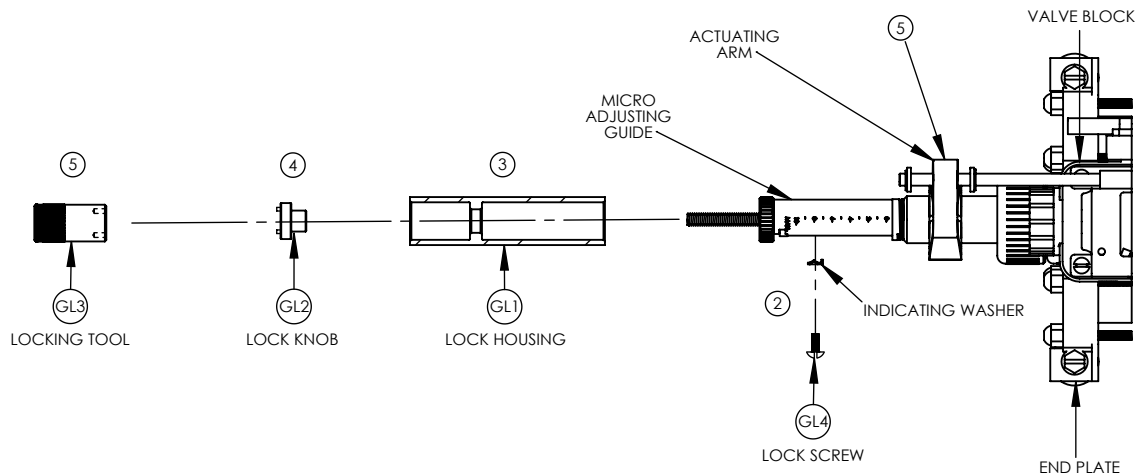
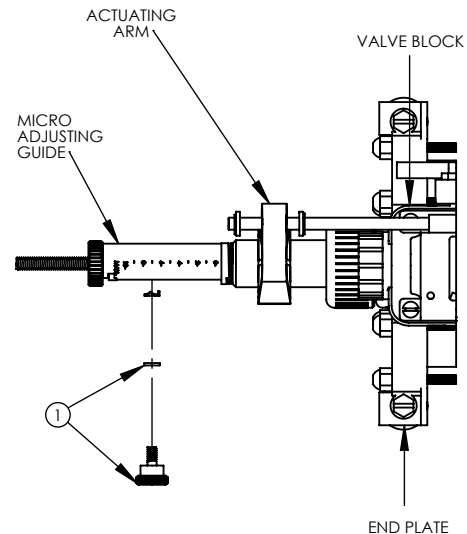




Installing Hydro-Blend Guide Lock

1. Remove lock knob and washer
2. Install new round head screw through indicating washer, and thread into micro screw. (You will not be using the lock washer). Tighten to neutral. Do not restrict the adjustment.
3. Slide lock housing (Deep counter bore end 1st) over micro adjusting guide.
4. Slide lock knob (Nose end 1st) into lock housing until you make contact with the micro screw.
5. Using the locking tool, engage the pins on the lock knob (#4) and tighten until snug. Hold the actuating arm while tightening lock knob so as not to disturb it's orientation.



5301 SAWYER AVENUE BOISE, ID 83714
 Phone: (208) 375-5000 www.hydroblend.com

DESCRIPTION:

HB - GUIDE LOCK