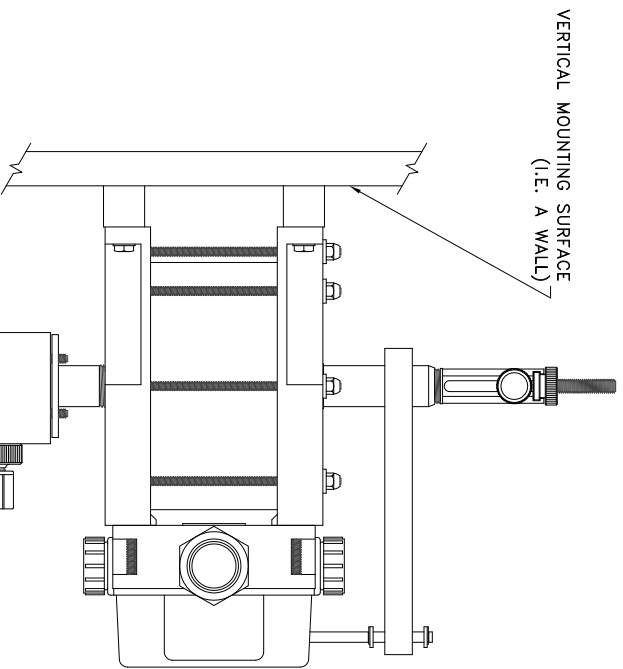
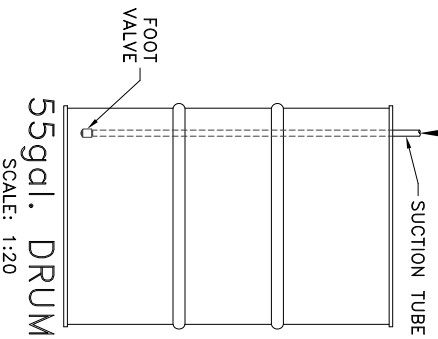


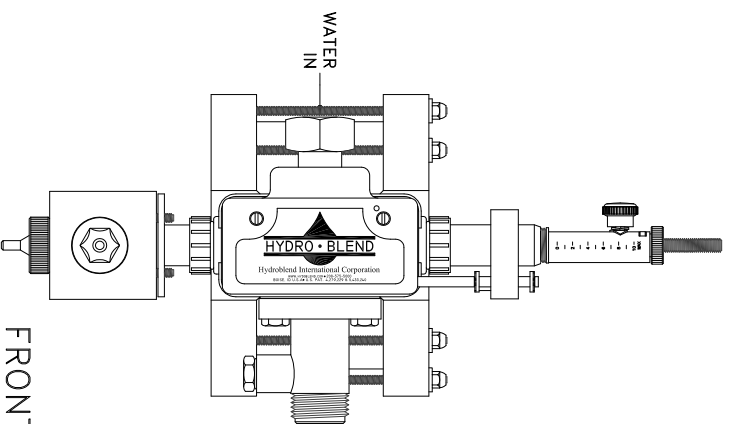
NOTE: HYDRO-BLEND VERTICALLY ORIENTED PUMP PART NUMBERS CONTAIN THE ABBREVIATION "VO"
 THIS ABBREVIATION DENOTES THE PUMPS MOUNTING ORIENTATION (SEE PACKING SLIP FOR PUMP NUMBER)
VO = VERTICALLY ORIENTATED - DESIGNED TO MOUNT ON A VERTICAL SURFACE (I.E. A WALL)




SIDE VIEW
SCALE: 1:3.5



55gal. DRUM
SCALE: 1:20



FRONT VIEW
SCALE: 1:3.5

| | | | | |
|--|--------------|----------|--|--|
| SCALE: | SHEET: | DATE: | C:\AUTOCAD\CPRODM\Paper-Work\Mounting-Instructions\MB-VO-Mounting-Instructions.dwg | |
| NOTED | 1 of 1 | 03/24/08 | | |
| DRAWN BY: | CHECKED BY: | | | |
| SC | DK | | | |
| SERIES: | DESCRIPTION: | | | |
| | | | | |
| REVISION: | REvised BY: | DATE: | | |
| | SC | 01/23/14 | | |
|  | | | | |
| 5301 SAWYER AVENUE BOISE, ID 83714 PHONE: (208) 375-5000 www.hydroblend.com MOUNTING INSTRUCTIONS VERTICALLY ORIENTED | | | | |