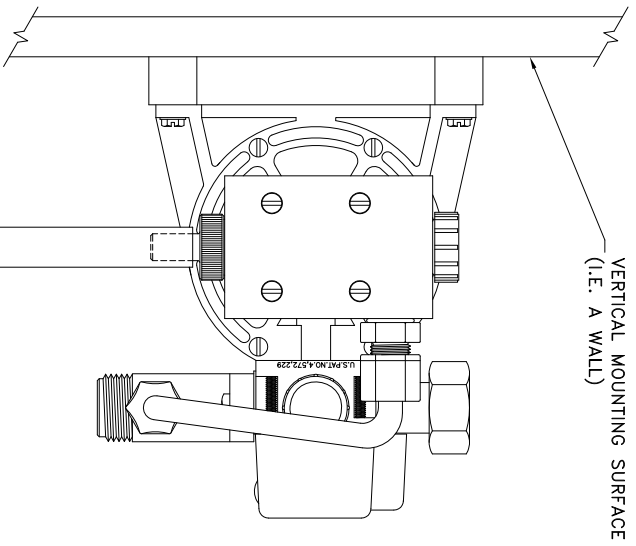
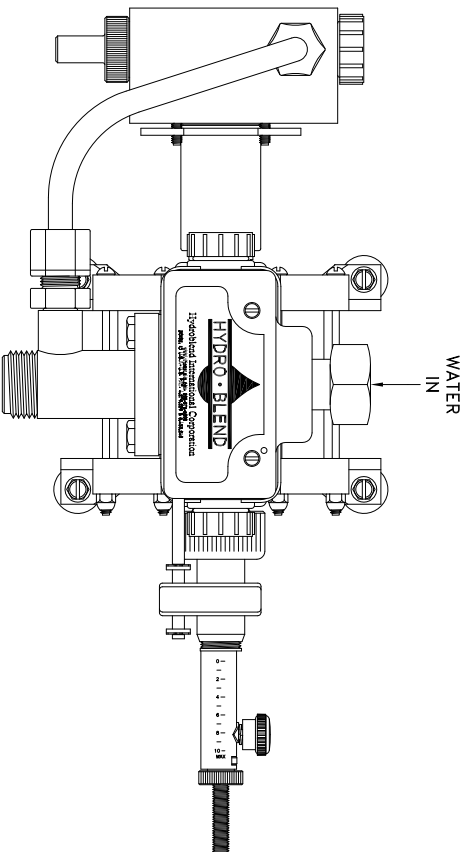


NOTE: HYDRO-BLEND VERTICAL MOUNT PUMP PART NUMBERS CONTAIN THE ABBREVIATION "VM"
 THIS ABBREVIATION DENOTES THE PUMPS MOUNTING ORIENTATION (SEE PACKING SLIP FOR PUMP NUMBER)
VM = VERTICAL MOUNT - DESIGNED TO MOUNT ON A VERTICAL SURFACE (I.E. A WALL)



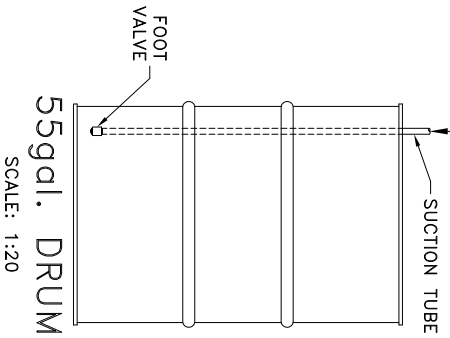
VERTICAL MOUNTING SURFACE
 (I.E. A WALL)

END VIEW
 SCALE: 1:3



WATER
 IN

SIDE VIEW
 SCALE: 1:3



55gal. DRUM
 SCALE: 1:20

SCALE:	SHEET:	DATE:
NOTED	1 of 1	01/31/07
DRAWN BY:	CHECKED BY:	
SC	DK	
SERIES:	DESCRIPTION:	
REVISION:	REvised BY:	DATE:
	SC	06/25/09

C:\AUTOCAD\COMMON\Paper\Work\Mounting-Instructions\Standard_VM-Mounting-Instructions.dwg



5301 SAWYER AVENUE BOISE, ID 83714
 PHONE: (208) 375-5000 www.hydroblend.com

MOUNTING INSTRUCTIONS
 VERTICAL MOUNT